



**EUROLOFT™ BED LIFT
(OVERHEAD CAB)**

OEM INSTALLATION MANUAL

**L I P P E R T
C O M P O N E N T S®**

TABLE OF CONTENTS

Safety Information	2
Important Information.....	2
Resources Required	3
Prior to Installation	3
Unpacking the Bed Frame.....	3
Motor and Motor Bracket.....	4
Power Controller.....	5
ACS Module Holder and Bracket.....	5
Stabilizer Guide Track Bracket and Roller Assembly.....	6
Installation	6
Belt Mounting Brackets.....	6
Stabilizer Channel Guides.....	8
Euroloft Switch.....	8
Wiring Harness Connections.....	9
Wire Harness to Components.....	9
Wiring Diagram.....	10
Setting the ACS Stop Procedure.....	11
Operation	12
Prior to Operating the EuroLoft Bed Lift System.....	12
Lowering the Bed Lift.....	12
Raising the Bed Lift.....	12
Manual Override.....	13
Maintenance	13

Safety Information

WARNING

Failure to act in accordance with the following may result in death, serious injury or property damage.

CAUTION

Moving parts can pinch, crush or cut. Keep clear and use caution during assembly.

Important Information

- Safety devices shall not be tampered with for any reason.
- It is strictly forbidden to be on the bed lifting system while it is being operated.
- Do not interfere with the bed lifting system while operated, neither with any objects or with hands.
- Before starting the vehicle engine and driving, always make sure the bed lifting system is in its highest position and the safety belts are fastened (excluding garage bed).
- Do not operate the system improperly (e.g. with people on it).
- The bed lifting system shall only be used by adults and responsible staff.
- It is forbidden to use the bed lifting system while the vehicle is running.
- Do not move the bed lifting system if people or animals or items are around, under or on it.
- The bed lifting system must never be used while the vehicle is running.
- It is forbidden to start the bed lift system manually with disconnected wires from motor unit to control unit.
- Should the mechanism not work, do not use the bed and ask for assistance at the next service center.

NOTE: Always install the bed lifting system taking into account the system maximum load. THE BED UNIT, AS A WHOLE-INCLUDING BED LIFTING SYSTEM, MATTRESS, PILLOW, BLANKETS, ETC. - MUST NOT WEIGH MORE THAN 132 lbs.

NOTE: The bed lifting system can bear a total maximum weight of 800 lbs.

Resources Required

- Cordless or Electric Drill or Screw Gun
- Appropriate Drive Bits
- Appropriate Drill Bits
- Pneumatic Rivet Gun
- Level
- Saw Horses
- Hex Key (4 mm)
- Socket Wrench (8 mm)
- Pencil

Prior to Installation

All installation operations shall be carried out by skilled and authorized staff. Remove the product from packaging.

Unpacking the Bed Frame

1. Make sure the bottom of the bed is facing up, the motor should be easily accessible.
2. Remove and set aside the subassembly component kit (Fig.1) packaged with the bed frame.
3. Remove and set aside the two stabilizer channel guides (Fig. 2) packaged with the bed frame.

Fig. 1

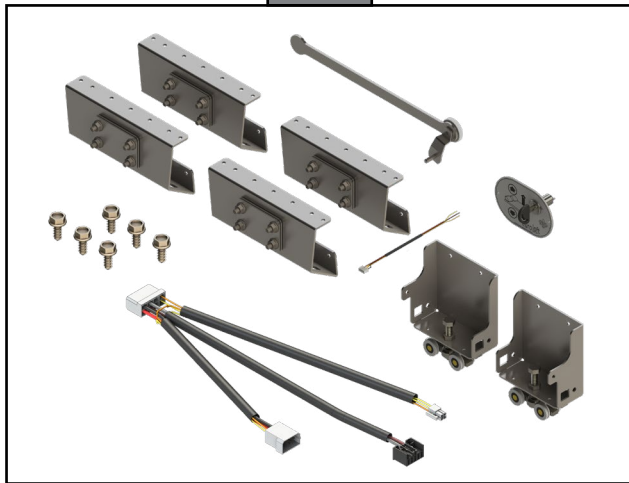


Fig. 2

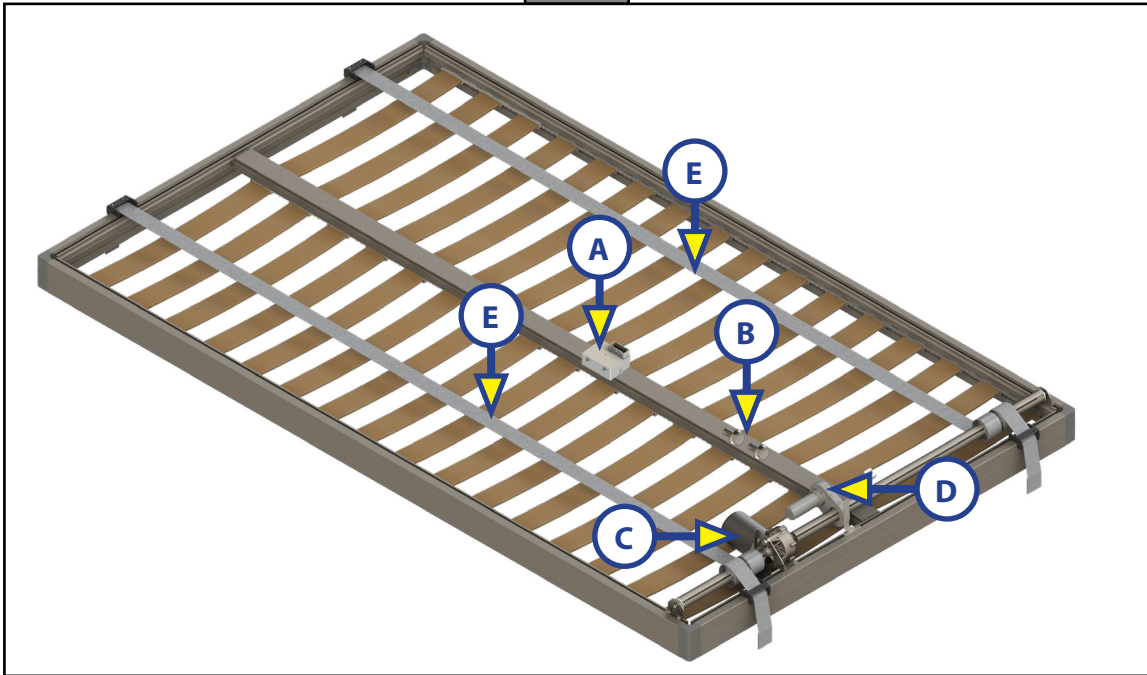


4. Remove the tape around the power controller (Fig. 3A) attached to the center support rail of the bed frame and set aside.

NOTE: In some cases the power controller may already be installed to the motor bracket.

5. Remove the tape around the two M8-1.25 X 22mm hex head DIN 6921 steel serrated flange bolts (Fig. 3B) attached to the center support rail of the bed frame and set aside.
6. Remove the tape holding the long drive shaft and the short drive shaft belts together in the middle of the bed frame (Fig. 3E).

Fig. 3



Motor and Motor Bracket

1. Rotate the motor up from the bed frame (Fig. 3C).
2. Align the motor bolt holes with the holes in the motor bracket (Fig. 4A).
3. Install the two M8-1.25 X 22mm hex head DIN 6921 steel serrated flange bolts through the motor bracket into the motor (Fig. 5A).

Fig. 4

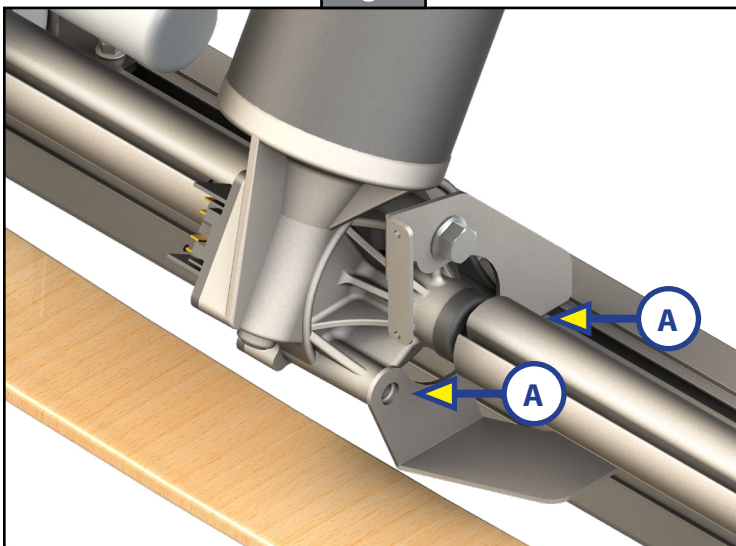
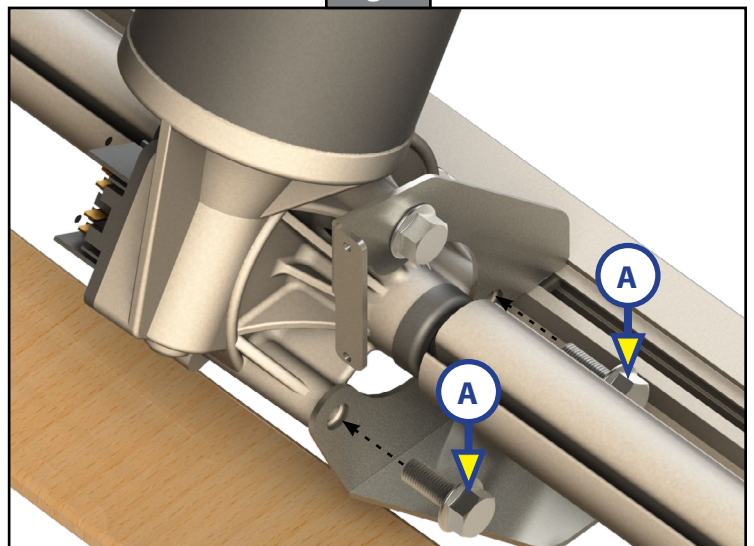


Fig. 5



Power Controller

NOTE: The power controller may already be installed to the motor bracket.

If the power controller is not attached, do as follows.

1. Remove the two #4 x 1/4" Phillips, Type A, sheet metal screws from the power controller (Fig. 6B).
2. Align the power controller screw holes with the motor bracket (Fig. 7A) screw holes.
3. Make sure the power controller interface (Fig. 6A) is facing towards the motor, then install the two previously removed screws through the motor bracket and into the power controller (Fig. 7B).

Fig. 6

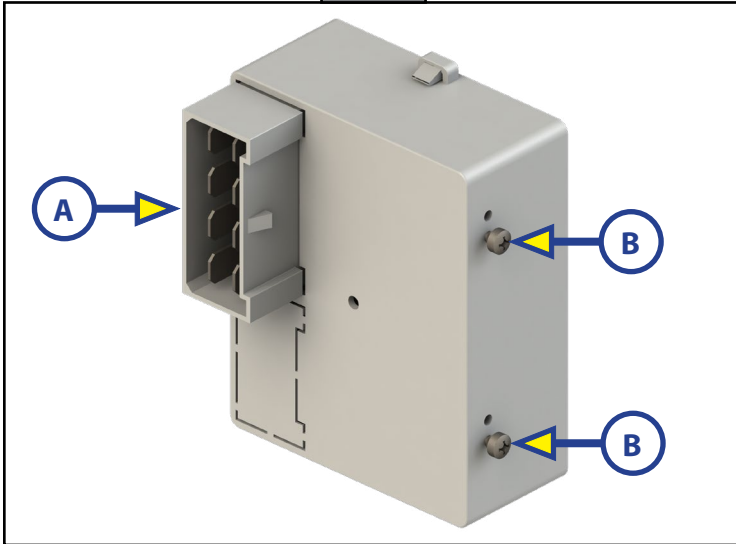
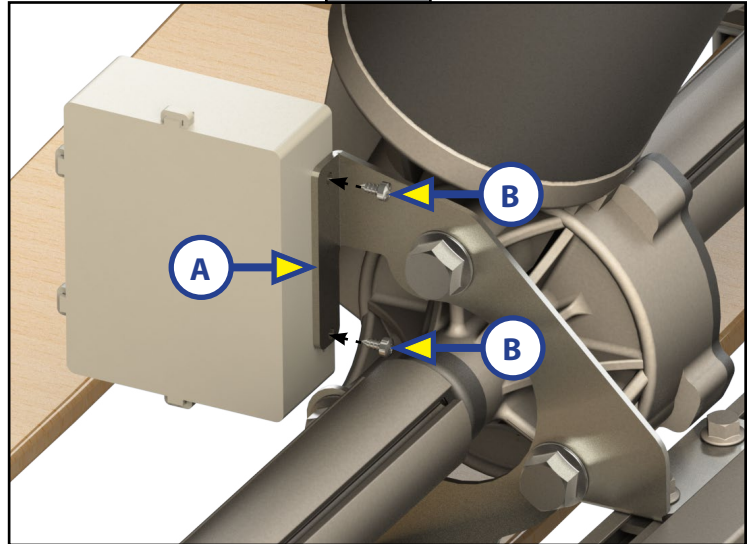


Fig. 7



ACS Module Holder and Bracket

1. Rotate the ACS module holder up from the bed frame (Fig. 3D).
2. Remove the two #6 - 18 x 3/8" Phillips, Type A, sheet metal screws inserted halfway into the ACS module holder (Fig. 8A).
3. Align the ACS module holder with the ACS support bracket, then install the two previously removed screws (Fig. 9A) through the bracket and into the ACS module holder.

Fig. 8

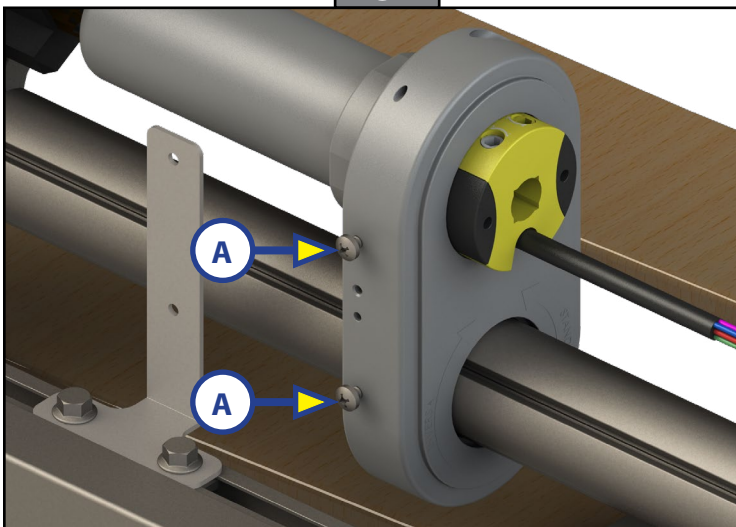
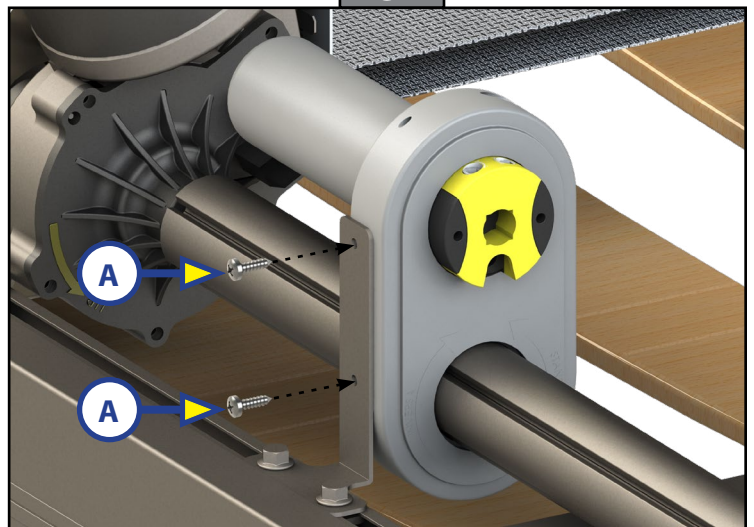


Fig. 9

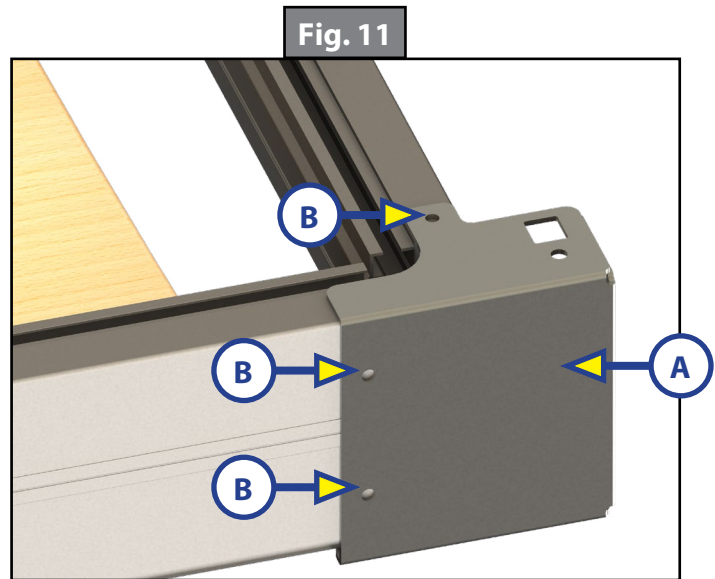
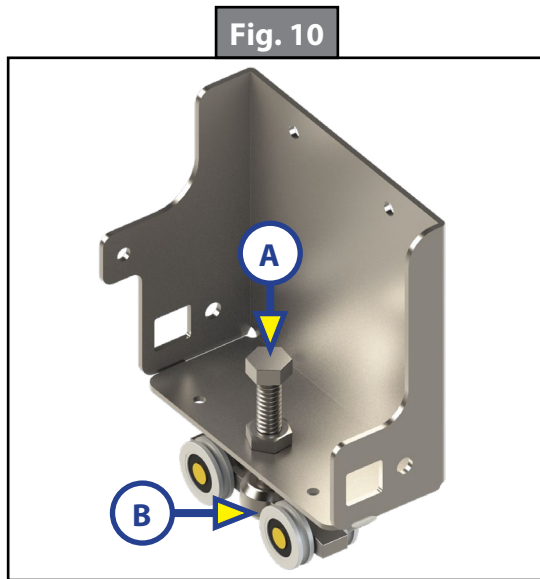


Stabilizer Guide Track Bracket and Roller Assembly

1. Make sure the guide track roller assembly screw (Fig. 10A) is secured tightly to the wheel bracket (Fig. 10B).
2. Place the stabilizer guide track bracket (Fig. 11A) on the corner of the side of the bed frame that will support the bed.

NOTE: The stabilizer guide track bracket locations may vary per bed.

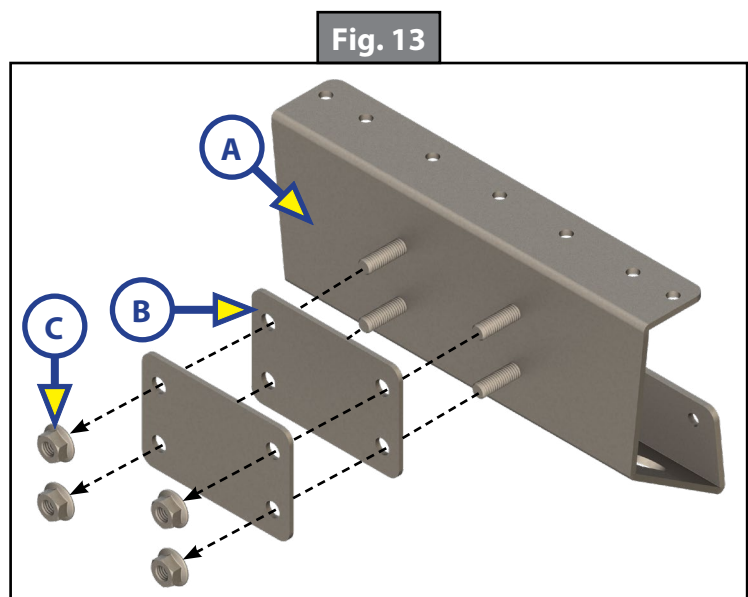
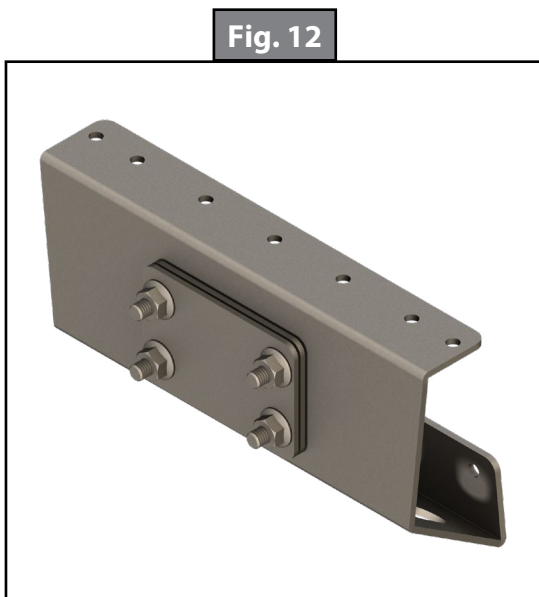
3. If the frame is not already pre-drilled, use the pre-drilled holes in the stabilizer guide track bracket as a guide. Pre-drill 5/32" holes into the top and sides of the end and side rails (Fig. 10B).
4. Secure the bracket to the bed frame holes using three of the subassembly kit's #10 -12 x 1/2" hex. head screws.
5. Repeat steps 1- 4 for the opposite stabilizer guide track bracket.



Installation

Belt Mounting Brackets

1. Remove the belt mounting assembly (Fig. 12) from the subassembly kit. Unscrew the nuts (Fig. 13C) and slide the belt plates (Fig. 13B) off the belt bracket (Fig. 13A) and set aside. Do this for all four belt brackets.



NOTE: A prefabricated jig may be used for a faster installation of the belt brackets.

NOTE: If installing on a unit with aluminum backing in the wall, use a minimum size of #10 x 1" self-drilling screws. If installing on a unit with wood backing in the wall, use a minimum size of #10 x 1" wood screws.

2. Starting on the passenger side at the desired height, install a belt mounting bracket (Fig. 13A). The left edge of the belt mounting bracket should be approximately 10 1/4" away from the top roll bar of the unit.
3. Install seven #10 x 1" screws at the top and seven #10 x 1" screws at the bottom of the belt mounting bracket into wall of the unit.
4. On the passenger side, place the second belt mounting bracket's left edge approximately 47 1/2" away from the top roll bar of the unit.
5. Install seven #10 x 1" screws at the top and seven #10 x 1" screws at the bottom of the belt mounting bracket into wall of the unit.
6. On the driver's side at the desired height, install the third belt mounting bracket's right edge of the bracket, approximately 12 3/4" away from the top roll bar of the unit.
7. Install seven #10 x 1" screws at the top and seven #10 x 1" screws at the bottom of the belt mounting bracket into wall of the unit.
8. Place the fourth belt bracket's right edge approximately 46 1/2" away from the top roll bar of the unit.
9. Install seven #10 x 1" screws at the top and seven #10 x 1" screws at the bottom of the belt mounting bracket into wall of the unit.
10. Place the bottom side of the bed frame down on level supporting saw horses at the approximate fully extended position. Make sure the bed frame is level.
11. Extend one belt up from the bed frame, making sure the belt is not twisted and there is no slack in the belt.
12. Wrap the belt (Fig. 14C) over the top of the first belt plate (Fig. 14B). The belt extending up from the bed frame should be in between the belt mounting bracket and the belt plate.
13. Place the belt plate and the belt onto the posts (Fig. 14A) of the belt mounting bracket.
14. Slide the second belt plate (Fig. 15A) onto the posts (Fig. 15B) of the belt mounting plate, against the belt.
15. Install the four previously removed M6 - 1.0mm hex flange nuts (Fig. 16A) onto the belt mounting bracket posts. Tighten the nuts to 10 ft-lbs.
16. Repeat steps 11-15 for the other three belts.

Fig. 14

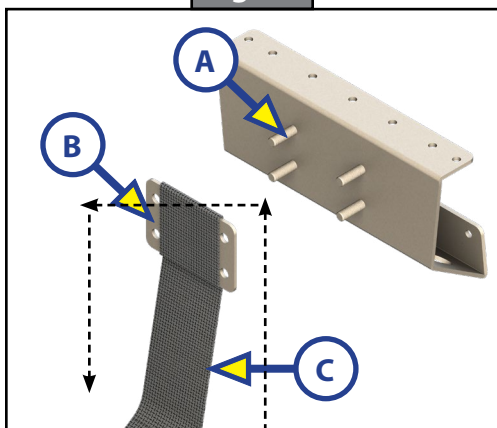


Fig. 15

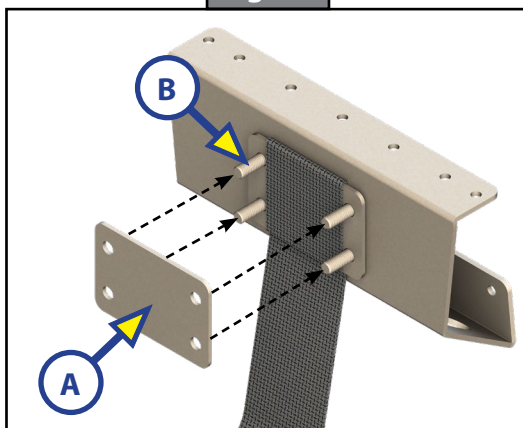
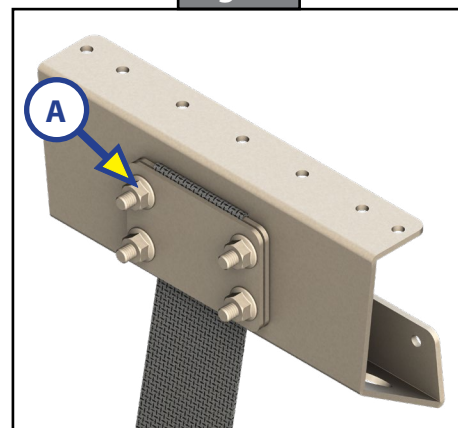


Fig. 16



Stabilizer Channel Guides

NOTE: Prior to installing the stabilizer channel guides, the excess length of the stabilizer channel guides can be removed by measuring the length starting from the top of the roller guide assembly at the fully retracted position to the bottom of the roller guide assembly at the fully extended position.

NOTE: If installing on a unit with aluminum backing in the wall, use a minimum size of #10 x 1" self-tapping screws. If installing on a unit with wood backing in the wall, use a minimum size of #10 x 1" self-drilling screws.

1. Make sure the bed frame is in the fully extended position.
2. Take the top end of the stabilizer channel guide (Fig. 17B) and place under the roller track assembly (Fig. 17A).
3. Guide the roller track assembly into the stabilizer channel guide. Raise the stabilizer channel guide up to the desired height.
4. Install three #10 x 1" screws through the stabilizer channel guide; top, middle and bottom, inside the middle of the stabilizer channel guide (Fig. 18A) and into the wall of the unit.
5. Repeat steps 1-4 for the opposite side.

Fig. 17

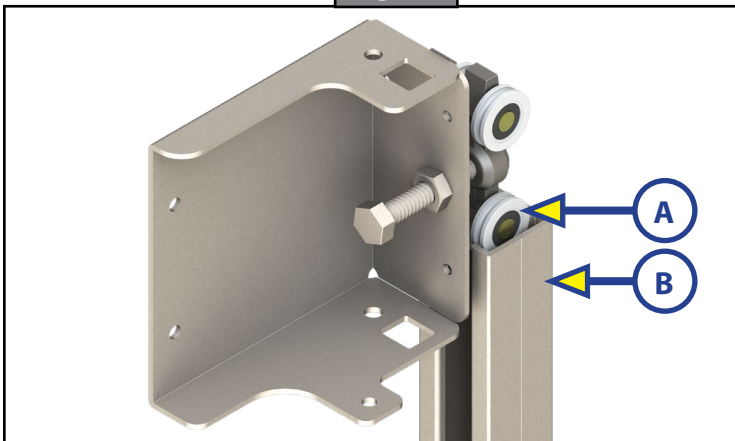
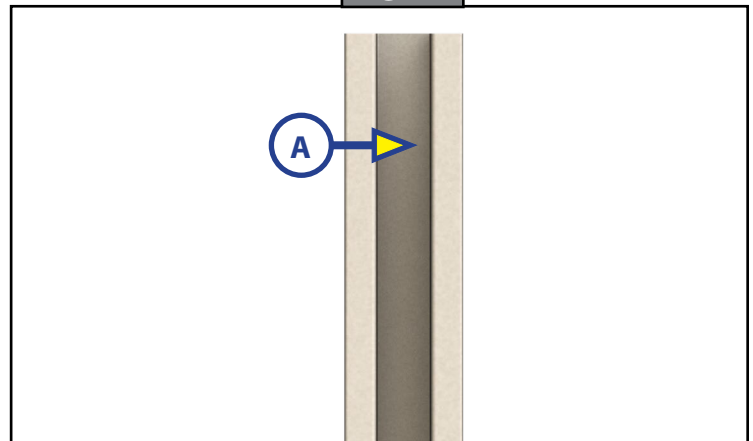


Fig. 18



Euroloft Switch

NOTE: If installing on a unit with aluminum backing in the wall, use a minimum size of #10 x 1" self-drilling screws. If installing on a unit with wood backing in the wall, use a minimum size of #10 x 1" wood screws.

The Euroloft switch can be installed in the wall of the unit next to the bed frame or if installing padded rails to the bed frame, in the padded rails.

1. Cut into the wall or the side panel of the bed an area 3" X 2" X 1" for the switch plate to be installed.
2. Install two #10 x 1/2" screws one screw on each side of the switch plate (Fig 19A).

Fig. 19



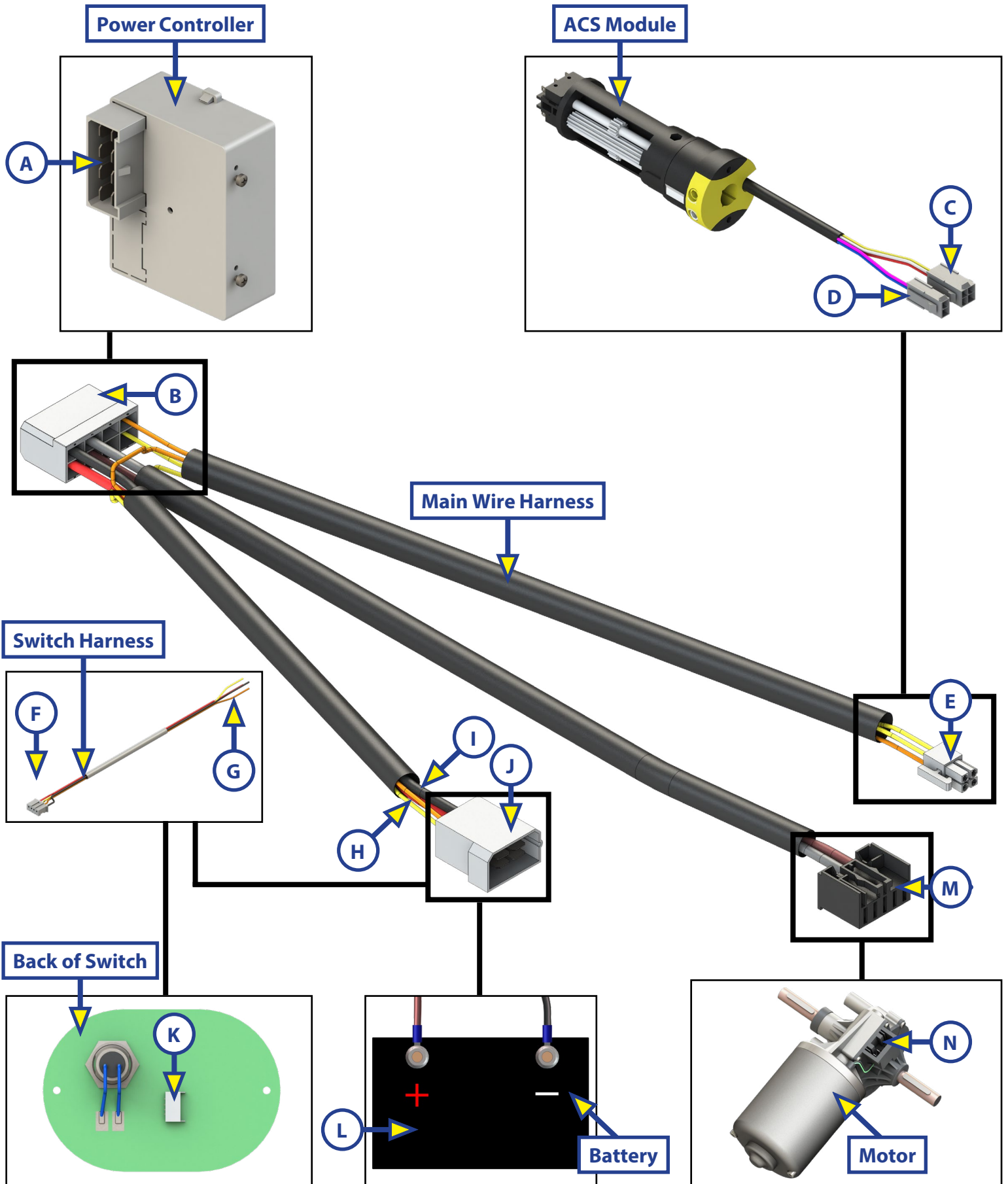
Wiring Harness Connections

Wire Harness to Components

1. Install the main wire harness power controller's connector (Fig. 20B) to the power controller's male connector (Fig. 20A).
2. Install the main wire harness ACS (Advanced Control System) connector (Fig. 20E) to the ACS module connector (Fig. 20C). The connecting wire colors are white, yellow, orange and green.
NOTE: The ACS module blue and purple wires (Fig. 20D) are only used to set the ACS module when assembling the components. Disregard these wires for OEM installation.
3. Remove the connector plug (Fig. 20J) from the main wire harness power and directional wires. This plug is only used when testing the system.
4. Splice the yellow and orange wires (Fig. 20H) to the corresponding yellow and orange wires of the switch harness non-connector end (Fig. 20G).
5. Splice the red and black wires (Fig. 20I) to the corresponding red and black wires of the switch harness non-connector end (Fig. 20G). The 20A circuit protection should be wired between the switch and the main power source or battery (Fig. 20L).
6. Install the switch harness connector end (Fig. 20F) to the back of the switch (Fig. 20K).
7. Install the main wire harness motor connector (Fig. 20M) to the motor's female connector (Fig. 20N).

Wiring Diagram

Fig. 20



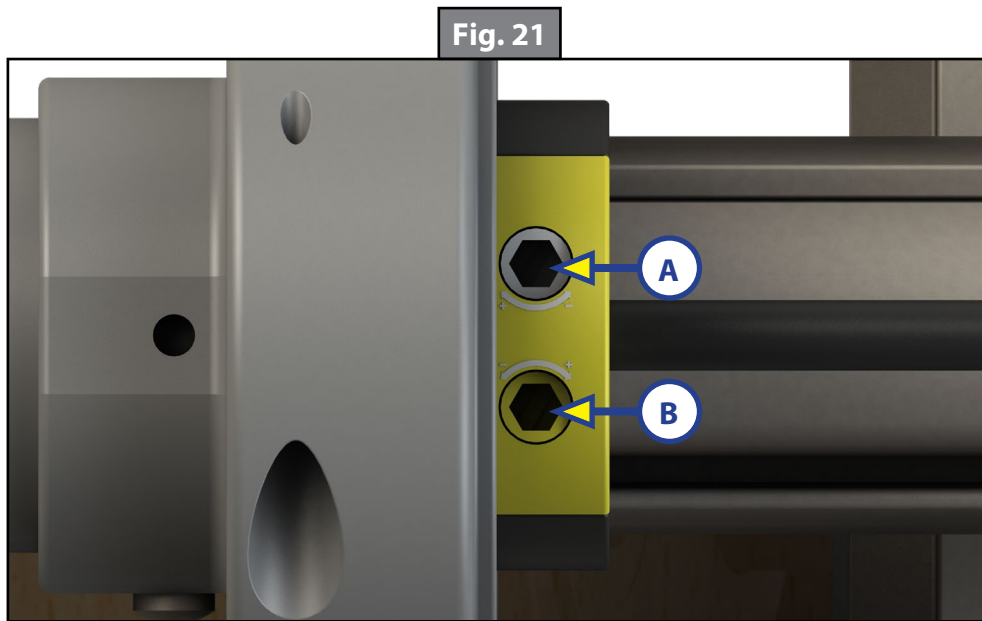
Setting the ACS Stop Procedure

Setting the UP Position

1. Make sure the safety belts are unfastened.
2. Turn the key switch to the ON position (Fig. 22D) located on the key pad.
3. Press and hold the UP arrow-shaped button (Fig. 22A) on the key pad. A green LED light (Fig. 22C) on the key pad will turn on in the direction the bed is moving. The bed will keep moving until you reach the pre-set stop position.
4. If the bed lift stops too low, turn the white screw (Fig. 21A) in the ACS module counterclockwise. This will allow the bed lift to move higher. If the bed lift stops too high, turn the white screw (Fig. 21A) clockwise until the bed lift stops lower.

NOTE: One full rotation of the screw is approximately one inch of movement up or down.

5. Press the UP arrow (Fig. 22A) and DOWN arrow (Fig. 22B) to run the bed lift system after each adjustment of the screw. If necessary, repeat this procedure until desired stop location is obtained.



Setting the DOWN Position

1. Make sure the safety belts are unfastened.
2. Turn the key switch to the ON position (Fig. 22D) located on the key pad.
3. Press and hold the DOWN arrow-shaped button (Fig. 22B) on the key pad. A green LED light (Fig. 16C) on the key pad will turn on in the direction the bed is moving. The bed will keep moving until you reach the pre-set stop position.
4. If the bed lift stops too high, turn the yellow screw (Fig. 21B) counterclockwise. This will allow the bed lift to move lower. If the bed lift stops too low, turn the yellow screw (Fig. 21B) clockwise until the bed lift stops higher.

NOTE: One full rotation of the screw is approximately one inch of movement up or down.

5. Press the UP arrow (Fig. 22A) and DOWN arrow (Fig. 22B) to run the bed lift system after each adjustment of the screw. If necessary, repeat this procedure until desired stop location is obtained.

Operation

⚠ WARNING

Always make sure that the EuroLoft Bed Lift path is clear of people, pets and objects before and during operation. Always keep away from the slide rails when the bed is being operated. Do not allow people or pets on bed while bed is in motion.

Prior to Operating the EuroLoft Bed Lift System

⚠ WARNING

The bed lifting system must never be used while the vehicle is in motion.

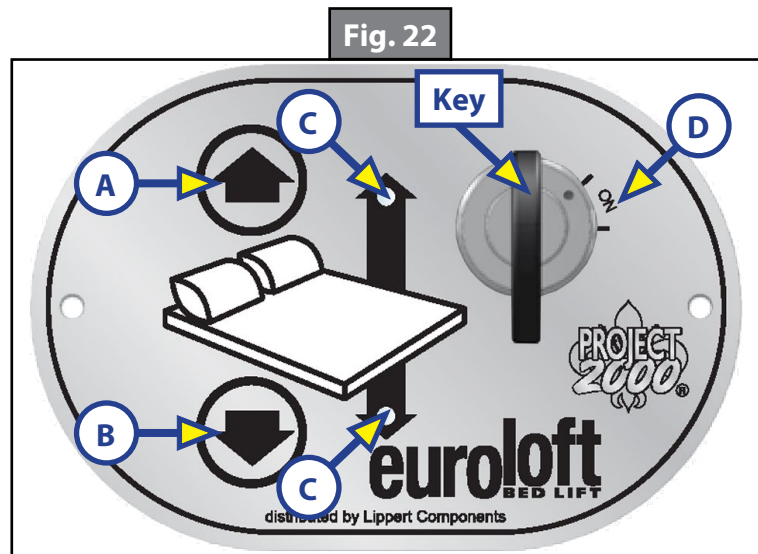
1. Make sure the vehicle is parked, secured and stabilized before starting operations.
2. Set the parking brake, if applicable.

Lowering the Bed Lift

1. If installed, make sure the safety belts are unfastened.
2. Turn the key switch to the ON position (Fig. 22D) located on the key pad.
3. Press and hold the DOWN arrow-shaped button (Fig. 22B) on the key pad. A green LED light (Fig. 22C) on the key pad will turn on in the direction the bed is moving. The bed will keep moving until it reaches the pre-set stop position.

NOTE: The bed will stop moving when the button is released. Continue to press and hold the button until the stop position has been reached.

4. Release the DOWN arrow-shaped button.
5. Turn the key switch to the OFF position.



Raising the Bed Lift

1. Turn the key switch to the ON position (Fig. 22D) located on the key pad.
2. Press and hold the UP arrow-shaped button (Fig. 22A) on the key pad. A green LED light (Fig. 22C) on the key pad will turn on in the direction the bed is moving. The bed lift will keep moving until it reaches the pre-set stop position.

NOTE: The bed will stop moving when the button is released. Continue to press and hold the button until the stop position has been reached.

3. Release the UP arrow-shaped button.
4. If installed, make sure the safety belts are fastened.
5. Turn the key switch to the OFF position.

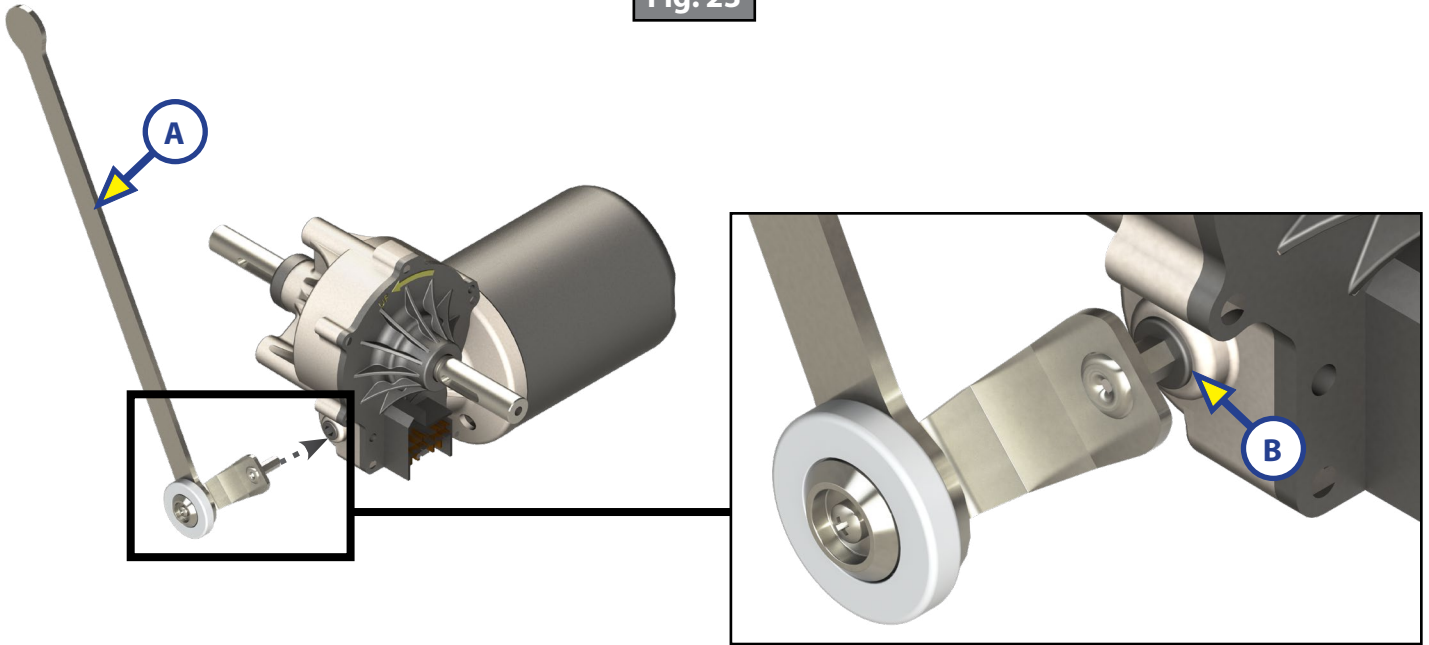
⚠ WARNING

Always disconnect from power source before performing any operation on the bed lifting system.

To raise or lower the bed lift in case of emergency, it is possible to operate the system manually.

1. Insert the provided crank device (Fig. 23A) into the motor (Fig. 23B).
2. Turn clockwise to raise or counterclockwise to lower the bed.
3. Have the bed lift serviced by an OEM-authorized dealer as soon as possible. Do not operate the bed lift until service is complete, as damage to the bed lift system may result.

Fig. 23



Maintenance

The EuroLoft Bed Lift system has been designed to require very little maintenance. To ensure the long life of your EuroLoft Bed Lift system, read and follow these few simple procedures:

1. When the bed is raised, visually inspect the slide rail assemblies.
 - A. Check for excess buildup of dirt or other foreign material.
 - B. Remove any debris that may be present.
2. If the system squeaks or makes any noises, blow out any debris from the drive shaft and apply a dry lubricant to prevent and/or stop squeaking.



L I P P E R T C O M P O N E N T S[®]

The contents of this manual are proprietary and copyright protected by Lippert Components, Inc. ("LCI"). LCI prohibits the copying or dissemination of portions of this manual unless prior written consent from an authorized LCI representative has been provided. Any unauthorized use shall void any applicable warranty. The information contained in this manual is subject to change without notice and at the sole discretion of LCI.

Revised editions are available for free download from lci1.com.

Please recycle all obsolete materials.

For all concerns or questions, please contact
Lippert Components, Inc.

Ph: (574) 537-8900 | Web: lci1.com | Email: customerservice@lci1.com